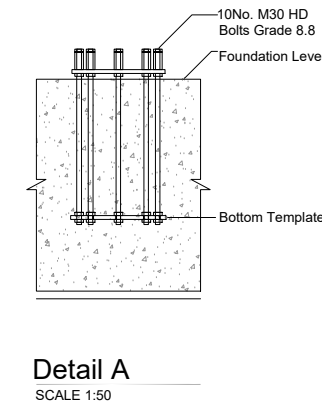
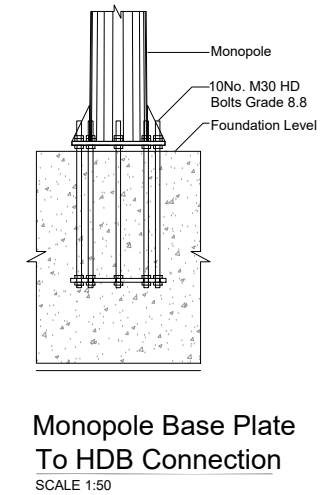
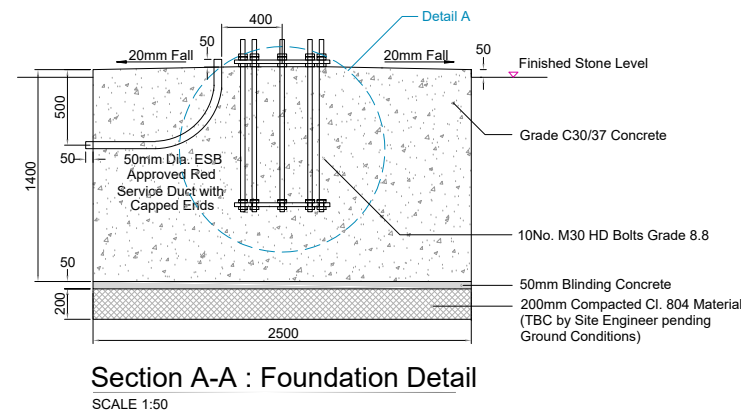
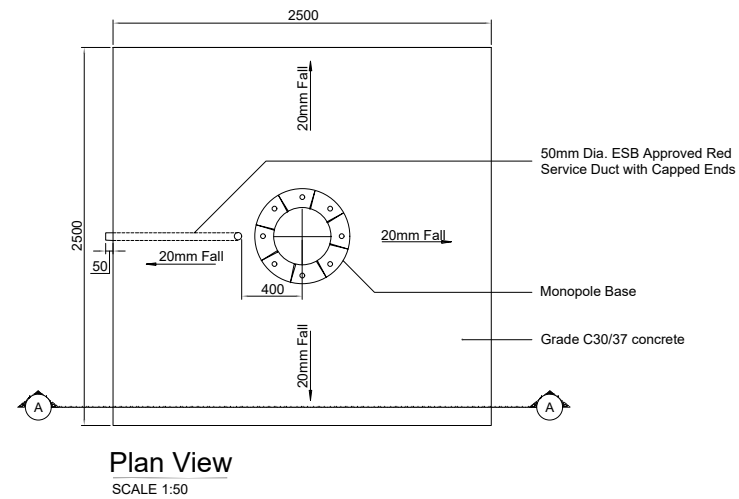
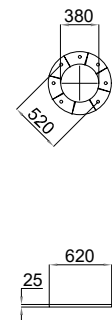


Monopole Elevation and Details
SCALE 1:75



- GENERAL NOTES:**
1. ALL drawings to be read in conjunction with the Specification and all Engineers and Architects Drawings.
 2. All concrete to be in accordance with I.S. EN 206-1:2002 with the Mix Designs shown in Table 1.
 3. Concrete finishes to be in accordance with Table 6.1 of the ESB Specification CS17-S01-005.
 4. ALL Reinforcement shall be in accordance with BS4449 and scheduled in accordance with BS 8666. 300mm Laps for A142 Mesh 600mm Min Laps for A393 Mesh.
 5. Refer always to relevant Earth Grid drawing prior to excavations & concrete pours.
 6. Geometrical tolerances to be in accordance with Table 6.2 of ESB Specification CS17-S01-005
- FOUNDATION NOTES:**
7. Ground to have a minimum Bearing Capacity of 100 kN/m².
 8. Formation level and Foundations to be inspected and approved by the Engineer prior to any Concrete being poured.
 9. All Foundations are to be blinded immediately after excavation with 50mm of C18/20 Concrete Blinding.
 10. Refer always to the relevant Earth Work Drawings prior to Excavations & Concrete pours.

- NOTES:**
1. FIGURED DIMENSIONS ONLY TO BE TAKEN FROM THIS DRAWING.
 2. ALL DRAWINGS TO BE CHECKED BY THE CONTRACTOR ON SITE.
 3. ENGINEER TO BE INFORMED OF ANY DISCREPANCIES BEFORE ANY WORK COMMENCES.
 4. THIS DRAWING TO BE READ IN CONJUNCTION WITH ALL OTHER RELEVANT DRAWINGS AND SPECIFICATIONS.

THIS DRAWING IS NOT TO BE USED AS A CONSTRUCTION DRAWING.

Taitte Éireann - Surveying
Includes National Mapping Reproduced
Under Copyright to Taitte Éireann.
Licence Number CYAL 50512615

rev.	modifications	D	C	A

Client	Carraig Power LTD.			
Project	Carrigean Renewable Energy Development, Co. Roscommon.			
Stage	Planning			
Title	Lightning Monopole Details - 18m Mast			
Scales	As Noted @ A3			
Surveyed	Prepared	Checked	Approved	Date
-	A.G	J.D	C.G	Mar 2026

JENNINGS O'DONOVAN
an RSK company

© COPYRIGHT OF
JENNINGS O'DONOVAN AND PARTNERS LIMITED
FINISKLIN Tel (+353) 719 161 416
SLIGO Email. info@jodireland.com
IRELAND www.jodireland.com

@JOD_Sligo Jennings O'Donovan & Partners Jennings O'Donovan

Job No.	Drawing no.	Rev
6575	6575-JOD-CGWF-XX-DR-C-609	-